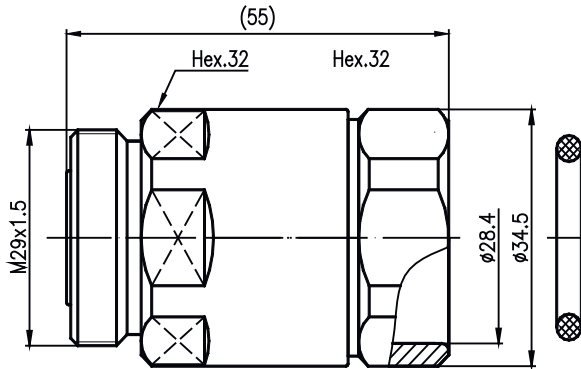


LT-DINF-7/8

DIN-Female Connector for 7/8" Cable | Crimp Type



Specifications

LT-DINF-7/8		
Characteristic Impedance	Ω	50
Cut-Off Frequency	GHz	≤ 7.5
Shielding Efficiency	dB	≥ 115
Inner Conductor Contact Resistance	m Ω	≤ 0.40
Outer Conductor Contact Resistance	m Ω	≤ 0.20
IM3	dBc	≤ -155
Insertion Loss	dB	≤ 0.08
Insulation Resistance	m Ω	≥ 10000
Dielectric Strength	V	3000
VSWR	0.8 - 1.0 GHz	≤ 1.08
	1.7 - 2.5 GHz	≤ 1.10
Inner Conductor Pin		Brass / Silver Plating
Inner Conductor Socket		Tin Bronze / Silver Plating
Insulator		PTFE / TPX
Body & Outer Conductor		Brass / Trimetal Plating
Gasket		Silicon Rubber
Working Temperature Range	$^{\circ}\text{C}$	-65 ~ +165
Storage Temperature Range	$^{\circ}\text{C}$	-65 ~ +165