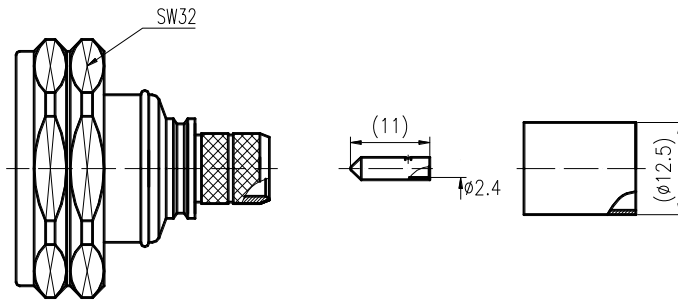


LT-DINM-RG214CONNECTOR DIN MALE
FOR RG-214, CRIMP TYPE**SPECIFICATIONS**

PART NUMBER	LT-DINM-RG214
Description	Connector DIN MALE for RG-214, crimp type

Material and Plating

Center contact	Brass / Gold Plating
Outer contact & Body	Brass / Nickel Plating
Dielectric	PTFE
Gasket	Silicon Rubber
Nut	Brass / Nickel Plating

Electrical Specifications

Characteristics Impedance	50 Ohm	
Frequency Range	DC~3GHz	
Insulation Resistance	$\geq 5000M\Omega$	
Center contact resistance	$\leq 0.4 m\Omega$	
Outer contact resistance	$\leq 0.2 m\Omega$	
Dielectric Withstanding Voltage	4000V rms	
Working voltage	2700V rms	
Insertion Loss	0.10dB@DC~3GHz	
VSWR	@DC~1.0GHz	≤ 1.15
	@1.0~3.0GHz	≤ 1.25

Environmental & Mechanical Specifications

Durability (matings)	≥ 500 cycles
Mechanical Shock Test Method	MIL-STD-202, Method 213, Test Cond. G
Vibration Test Method	MIL-STD-202, Meth. 204, Cond. B
The Size of Crimp Tool	Hex.0.429 inch
Suitable cables	RG214
Temperature Range	-65°C to +165°C
RoHS	Compliant