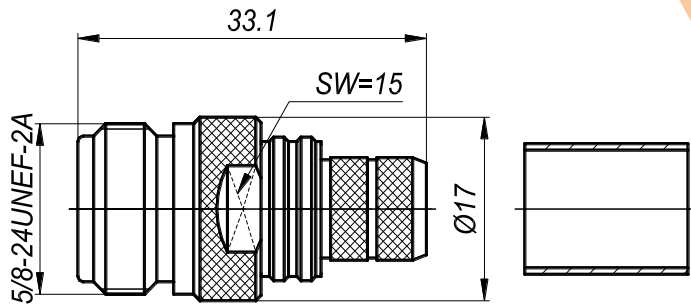


LT-NF-LMR400

N-FEMALE FOR LMR400 CABLE W/ SHRINK



SPECIFICATIONS

PART NUMBER	LT-NF-LMR400
Description	N-FEMALE FOR LMR400 CABLE W/ SHRINK

Material and Plating

Center contact	Tin-bronze / Silver Plating
Outer contact & BBoodyy	Brass / Trimetal Plating
Dielectric	PTFE
Gasket	-
Nut	-

Electrical Specifications

Characteristics Impedance	50 Ohm
Frequency Range	DC~11GHz
Insulation Resistance	≥5000MΩ
Center contact resistance	≤1.0 mΩ
Outer contact resistance	≤0.25 mΩ
Dielectric Strength	2500V rms (DC)
Working voltage	900V rms
Insertion Loss	≤0.10dB@3GHz
VSWR	≤1.2@DC~3.0GHz

Environmental & Mechanical Specifications

Durability (matings)	≥500 cycles
Mechanical Shock Test Method	MIL-STD-202, Method 213, Test Condition G
Vibration Test Method	MIL-STD-202, Meth. 204, Cond. B
Suitable cables	LMR400, RG8
The Size of Crimp Tool	0.429 inch
Temperature Range	-45°C to +85°C
RoHS	Compliant